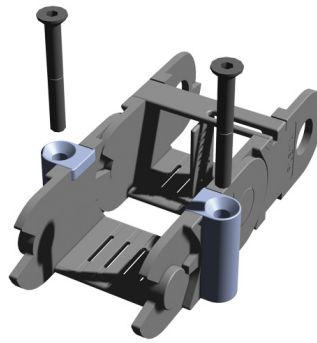


## PB standard connector

Standard connector for lateral fixation of the PL guide chains, stabilizes the guide



**Temperature:** -40°C ... +135°C

**Material:** PA6 GFK plastics



FLEXA No.	Article	for Type	E0 [mm]	F [mm]	G [mm]	PU [Set]
1615400002	Standard connector	PL4	Bi + 30,5	Bi + 18,5	5,5	1
1615500002	Standard connector	PL5	Bi + 35,5	Bi + 21,5	5,5	1

Recommendations for any areas of applications, products, or product combinations are issued to the best of FLEXA's knowledge and experience. The user is requested to check applicability of FLEXA products to specific applications and purposes prior to the use of the particular products. All documentation, illustrations, and charts published are subject to copyright and must not be copied, changed, used, or modified. Technical drawings, certificates, authorizations, and results by the FLEXA lab will be provided upon request. FLEXA will not be held liable for typographical or other errors and incorrect drawings. Technical modifications are subject to change without prior notice.