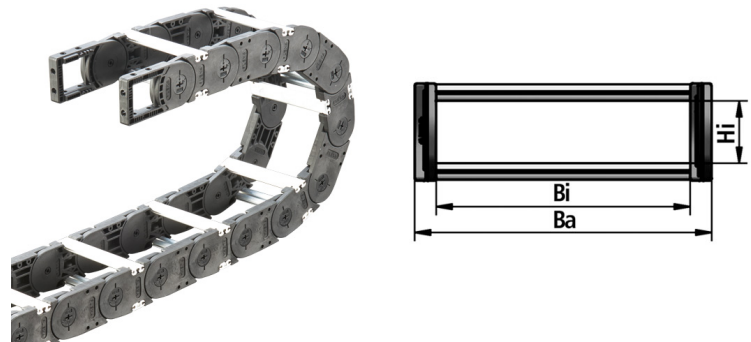


PH10 guide chain

Energy chains

Plastic guide chains, highly stressable, economical, easy to mount, compatible connections, simple handling with standard tools, Ha -Outer height 77 mm, Hi - Inner height 49 mm, T -Pitch 100 mm



Temperature: -40°C ... +135°C

Material: link plates: PA6 GFK
plastics, frame bar:
aluminium

APPLICATIONS:

- Application: automation / [special-purpose] machines / plant construction / doors / elevators

CHARACTERISTICS:

- Properties: easy to mount
- economical
- designed for extended lifetime
- inner and outer widths up to approx. 600 mm available
- compatible connections
- simple handling with standard tools



FLEXA No.	Article	Bi [mm]	R [mm]	Ba [mm]	Bow length [mm]	Max. quant. separators	Weight [kg/m]	PU [m]
16091075010	PH10-75A-10F	75,0	100	109,0	400	4	2,970	1
16091075015	PH10-75A-15F	75,0	150	109,0	600	4	2,970	1
16091075020	PH10-75A-20F	75,0	200	109,0	800	4	2,970	1
16091075030	PH10-75A-30F	75,0	300	109,0	1200	4	2,970	1
16091100010	PH10-100A-10F	100,0	100	134,0	400	5	3,110	1
16091100015	PH10-100A-15F	100,0	150	134,0	600	5	3,110	1
16091100020	PH10-100A-20F	100,0	200	134,0	800	5	3,110	1
16091100030	PH10-100A-30F	100,0	300	134,0	1200	5	3,110	1
16091150010	PH10-150A-10F	150,0	100	184,0	400	8	3,390	1
16091150015	PH10-150A-15F	150,0	150	184,0	600	8	3,390	1
16091150020	PH10-150A-20F	150,0	200	184,0	800	8	3,390	1
16091150030	PH10-150A-30F	150,0	300	184,0	1200	8	3,390	1
16091200010	PH10-200A-10F	200,0	100	234,0	400	11	3,670	1
16091200015	PH10-200A-15F	200,0	150	234,0	600	11	3,670	1
16091200020	PH10-200A-20F	200,0	200	234,0	800	11	3,670	1
16091200030	PH10-200A-30F	200,0	300	234,0	1200	11	3,670	1
16091250010	PH10-250A-10F	250,0	100	284,0	400	13	3,950	1
16091250015	PH10-250A-15F	250,0	150	284,0	500	13	3,950	1
16091250020	PH10-250A-20F	250,0	200	284,0	800	13	3,950	1
16091250030	PH10-250A-30F	250,0	250	284,0	1200	13	3,950	1
16091300010	PH10-300A-10F	300,0	100	334,0	400	16	4,230	1
16091300015	PH10-300A-15F	300,0	150	334,0	600	16	4,230	1



FLEXA No.	Article	Bi [mm]	R [mm]	Ba [mm]	Bow length [mm]	Max. quant. separators	Weight [kg/m]	PU [m]
16091300020	PH10-300A-20F	300,0	200	334,0	800	16	4,230	1
16091300030	PH10-300A-30F	300,0	300	334,0	1200	16	4,230	1

Recommendations for any areas of applications, products, or product combinations are issued to the best of FLEXA's knowledge and experience. The user is requested to check applicability of FLEXA products to specific applications and purposes prior to the use of the particular products. All documentation, illustrations, and charts published are subject to copyright and must not be copied, changed, used, or modified. Technical drawings, certificates, authorizations, and results by the FLEXA lab will be provided upon request. FLEXA will not be held liable for typographical or other errors and incorrect drawings. Technical modifications are subject to change without prior notice.